

Engine

Model	Yanmar EDM-3TNV88
Type	4Cycle Water Cooled, direct injection
No. of cylinders	3
Total Displacement	1.642L
Rated Output PS(kW)	28.8PS (21.2)
Max Torque	105.5Nm(10.8kgfm) @1000rpm
Bore and Stroke	.88mm x 90mm

Hydraulic System

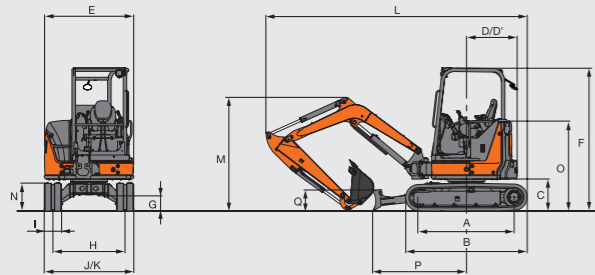
Hydraulic Pumps

Main Pumps	2 variable Displacement axial piston pumps
Maximum Oil Flow	2 x 38.4L/min 1x22.8L/min
Pilot Pump	1 gear pump
Maximum Oil Flow	10.8L/min

Releif Valve Settings

Implement Circuit	250 kgf/cm ² (24.5MPa)
Swing Circuit	170kgf/cm ² (16.7Mpa)
Travel Circuit	250kgf/cm ² (24.5Mpa)
Pilot Circuit	40kgf/cm ² (3.9Mpa)

DIMENSIONS



Unit: mm

A Distance between tumblers	1670	K Overall width	1550
B Undercarriage length	2130	L Overall length	
C Counterweight clearance	540	With 1.17 m arm	4450
D Rear-end swing radius	775	With 1.52 m arm	4530
D' Rear-end length	775	M Overall height of boom	
E Overall width of upper structure	1550	With 1.17 m arm	1510
F Overall height of cab	2470	With 1.52 m arm	1950
G Min. ground clearance	270	N Track height	470
H Track gauge	1250	O Engine cover-height	1520
I Track shoe width	300	P Horizontal distance to blade	1620
J Undercarriage width	1550	Q Blade height	360

Backhoe Attachments

Capacity	Width		Front End Attachment	
	With side cutters	Without side cutters	1.17m Arm	1.52 m Arm
ISO Heaped			A	A
0.04 m ³	293 mm	250mm	A	A
0.09 m ³	543 mm	500 mm	A	A

A General Purpose B Light Excavation C Loading Work

BUCKET AND ARM DIGGING FORCE

Arm length	1.17 m	1.52 m
Bucket digging force ISO	27.2 kN (2 770 kgf)	27.2 kN (2 770 kgf)
Arm crowd force ISO	16.9 kN (1 720 kgf)	14.6 kN (1 490 kgf)

Upper Structure

Swing speed	9.1min-1(rpm)
Swing torque	5.1kNm(520kgfm)

Under Carriages

Number of rollers on each side

Upper rollers	1
Lower rollers	4

Travel Device

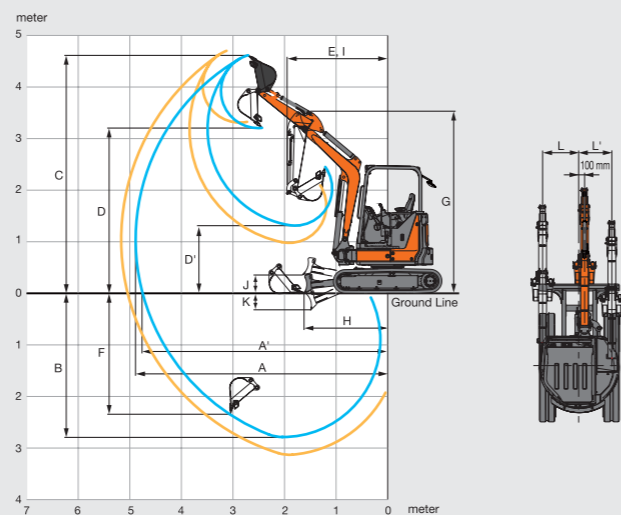
Travel speeds	High : 0 to 4.3. km/h Low : 0 to 2.8km/h
---------------	---

Maximum Traction Force	27kN(2750kgf)
Grade ability	58% (30 Degree) Continuous

Service Refill Capacities

Fuel tank	42.0L
Engine coolant	3.9L
Engine oil	7.2L
Travel device (each side)	0.6L
Hydraulic system	56.0L
Hydraulic tank	32.0L

WORKING RANGES



Arm length

1.17 m

A Max. digging reach	4 890
A' Max. digging reach on ground	4 750
B Max. digging depth	2 790
C Max. cutting height	4 620
D Max. dumping height	3 200
E Min. swing radius	1 970
F Max. vertical wall digging depth	2 330
G Front height at Min. swing radius	3 530
H Min. level crowding distance	1 610
I Working radius at Min. swing radius	1 580
J Blade bottom highest position above ground	360
K Blade bottom lowest position above ground	320
L/L' Offset distance	610 / 735



TATA HITACHI

COMPACT AND POWERPACKED



Tata Hitachi Construction Machinery Company Private Limited

Registered Office: Jubilee Building, 45 Museum Road, Bangalore, India 560025
 Telephone: +91 80 6695 3301 / 02 / 03 / 04 / 05 | Toll Free : 1800 121 6633
 Email: info@tatahitachi.co.in | Website: www.tatahitachi.co.in

Authorised Dealership

These specifications are subject to change without prior notice. The machine depicted may vary from the actual machine. Please contact our nearest office for latest specifications. Accessories shown here are not part of the standard equipment. Performance of the machine may vary with site and operating conditions encountered.

THCM/ZAXIS33U/E/4P/NOV/2019

ZAXIS33U

28.8 PS @ 2400 rpm | 3270-3650 kg | 0.04 - 0.09 m³

COMPACT & POWER PACKED



SUPERIOR PERFORMANCE

- Excellent control with best in class Swing speed – faster operations
- Hitachi Pilot Control Hydraulics System ensures – effortless handling of pilot lever
- Zero tail swing & boom enables this compact excavator to work alongside walls
- Special cooling system to keep engine & hydraulics cooler.

- Greater Stability
- Air Pre Cleaner

- Strengthened Front Attachments

- Strong Upper Structure

- Higher Digging Forces

- ROPS / FOPS Canopy

- Easy to Maintain

- Mechanical Governor (Minimal Electronics)



HIGH DURABILITY

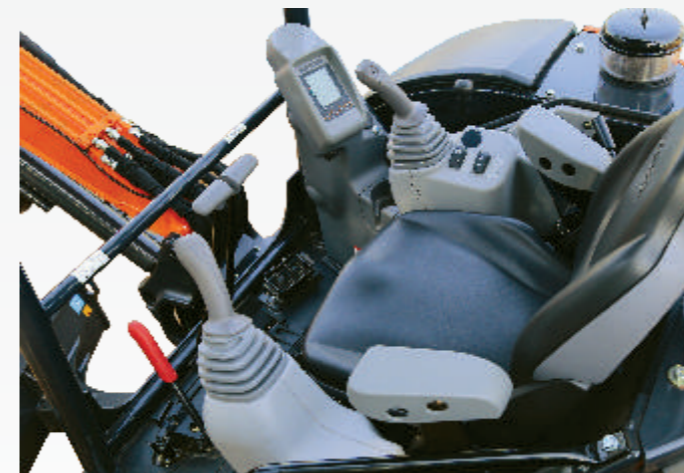
- Sturdy upper structure – reinforced with proven D-section skirts
- Reinforced boom end bracket with high strength steel
- Single swing post pin assures minimize backlash and improves performance



- Box-sectioned rigid frame blade.
- Reinforced sturdy bucket – longer life

OPERATOR COMFORT & SAFETY

- Spacious canopy with ample leg room for maximum comfort
- Ergonomically designed console, seat, large anti-vibration mounts to maximize comfort
- Protects operator in case of roll over or trip over accidents as ZX33U conforms with ROPS/TOPS standards



- Lowering Lock lever is compulsory for engine start function

SIMPLIFIED MAINTENANCE

- Dust proof indoor net, parallel ROC-easy to clean
- Wide opening covers with grouped inspection points - easy to access
- Longer greasing interval with HN bushes-reduced maintenance cost
- Slide open engine cover provides easy access to service in tight spaces.



- Air pre-cleaner ensures longer life of filters and reduces maintenance cost